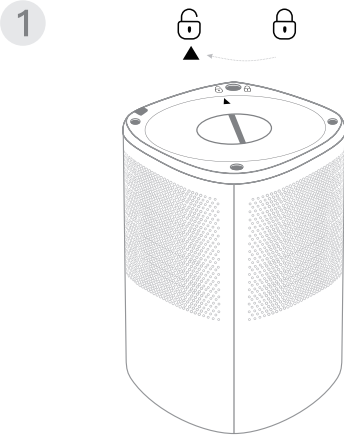


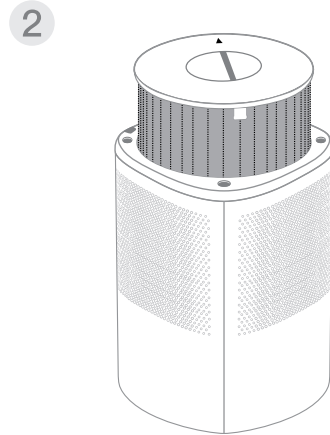
For Airtok AP1001

❖ How to replace filter 7

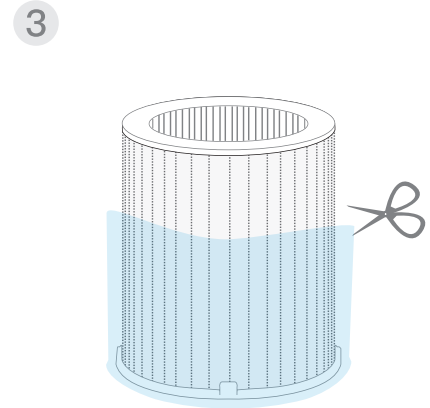
After about 1,350 hours (90% of rated lifecycle of filter) of cumulative operation, the Filter Replacement indicator will light up to remind you to purchase a new filter and replace the used filter.



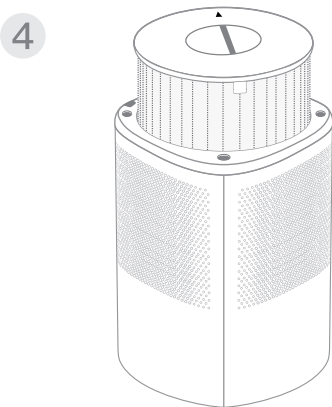
Placing the machine bottom up, rotate the bottom cover counterclockwise to unlock it



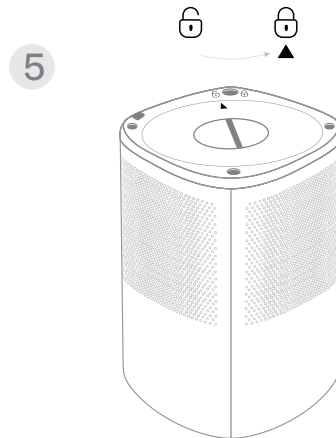
Remove the old filter



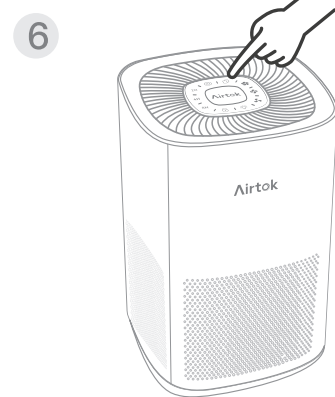
Remove the packaging bag of the new filter



Install the new filter



Turn the base cover clockwise to lock it



After switching on the power, press and hold the filter replacement button for 3 seconds, and when you hear the beep, the installation is successful.